

Fast Response, High-Performance, Immersible Thermal Gas Mass Flow Meter

Features

- Fast response flow meter ideal for gas mass flow measurement applications
- 200 millisecond response to changes in flow rate
- Smart electronics permit field adjustment of critical flow meter settings
- Field validation of flow meter calibration
- Outstanding rangeability
- Optional 2 x 12 backlit LCD display
- Minimal flow blockage and low pressure drop
- CE approved
- Optional Modbus RTU

FastFlo™ 620S



Description

Sierra Instruments' FastFlo™ 620S Immersible Thermal Mass Flow Meter provides an economical solution for gas flow measurement applications. The meter's sensor offers long-term reliability and 200 millisecond response to changes in flow rate.

The versatile microprocessor-based transmitter integrates the functions of flow-range adjustment, meter validation and diagnostics in a probe-mounted NEMA 4X (IP65) housing. Mass flow rate and totalized flow, as well as other configuration variables, can be displayed on the meter's optional 2 x 12 backlit LCD panel.

The meter also provides an optical/galvanic isolated 4-20 mA output and two alarm outputs. The programmable transmitter is easily configured via RS-232 and Sierra's Smart Interface™ Windows™ based software or three push buttons in the device. Modbus RTU is also supported. The 620S is suitable for pipes or ducts from 1-inch to 48-inches (DN50 to DN1200).



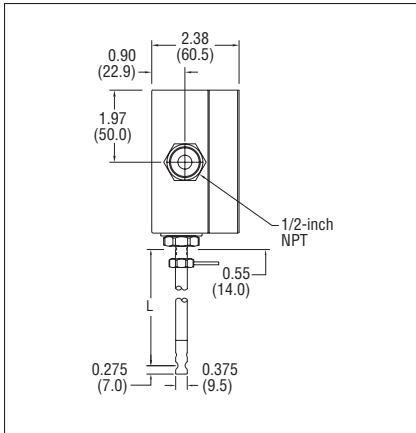
SIERRA
EXPERIENCE OUR PASSION FOR FLOW!

上海萨海测量技术有限公司
电话: 021-6236 2960
传真: 021-5235 2321
邮箱: sales@seasy-ist.com
网址: www.seasy-ist.com

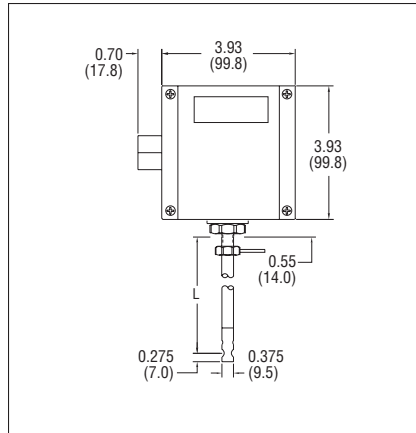


Dimensional Specifications

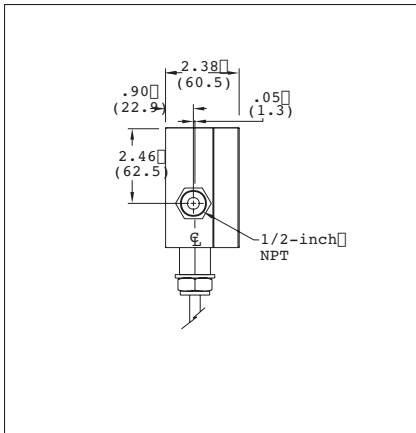
NEMA 4X—Side View (EN2)



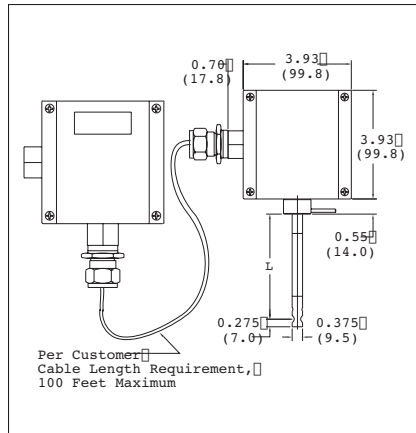
NEMA 4X—Front View (EN2)



NEMA 4X with Junction Box—Side View (EN4)



NEMA 4X with Junction Box—Front View (EN4)



Tables

Length Chart

Code	Rating
L04	4.0 (101.6)
L06	6.0 (152.4)
L09	9.0 (228.6)
L13	13.0 (330.2)
L18	18.0 (457.2)
L24	24.0 (609.6)

Performance Specifications

Accuracy of Point Velocity

+/- 1% of full scale

Repeatability

+/- 0.2% of full scale

Temperature Coefficient

+/- 0.02% of reading per °F within +/- 50°F of customer specified conditions

+/- 0.03% of reading per °F within +/- 50°F to 100°F of customer specified conditions

+/- 0.04% of reading per °C within +/- 25°C of customer specified conditions

+/- 0.06% of reading per °C within +/- 25°C to 50°C of customer specified conditions

Pressure Coefficient

.02% per psi for air, consult factory for other gases

Response Time

200 milliseconds to 63% of final velocity value

Operating Specifications

Gases

Most non-corrosive gases

Gas Pressure

150 psig (10.34 barg) maximum design pressure

Pressure Drop

Negligible

Gas & Ambient Temperature

Gas. -40° to 176°F (-40° to 80°C)

Ambient -40° to 120°F (-40° to 50°C)

Power Requirements

18 to 30 VDC (regulated), 625 mA draw maximum,
625 mA maximum operating current at 24 VDC and full scale flow.
Maximum in rush current of 2 Amps at 24 VDC. Consult factory for other conditions.

Output Signal

Linear 0–5 VDC or 0-10 VDC, 1000 ohms minimum load resistance or
Linear 4–20 mA proportional to mass flow rate,
700 ohms maximum resistance power supply dependent
User-selectable. Active non-galvanically separated or
passive galvanically separated (loop power required)

Digital Communication

Modbus RTU

Operating Specifications (continued)

Alarms

Hard contact user-adjustable high and low

Dead band adjustable with Smart Interface™ software

Relay ratings. Maximum 42 VAC or 42 VDC, 140 mA

Displays

Alphanumeric 2 x 12 digit backlit LCD

Adjustable variables via on-board switches (password protected)

or with Smart Interface™ software

Adjustable variables Full scale (50 to 100 %)

Time Response (1 to 7 seconds)

Correction factor setting (0.5 to 5)

Zero and span

Totalizer

Eight digits (9,999,999) in engineering units

Resettable by software, on-board switches or external magnet

Software

Smart Interface™ Windows™-based software

Minimum 8 MB of RAM, preferred 16 MB of RAM

RS-232 communication

Additional features. Alarm dead band adjustment
Low flow cut-off adjustment
Linearization adjustment
Save / Load configurations
Flow meter validation

Physical Specifications

Wetted Material

Probe 316SS

Sensor. 304SS, glass coating epoxy

Enclosure

NEMA 4X (IP65) powder-coated cast aluminum

Electrical Connections

One 1/2-inch female NPT

Mounting (optional)

3/8-inch tube compression fitting with 1/2-inch male NPT

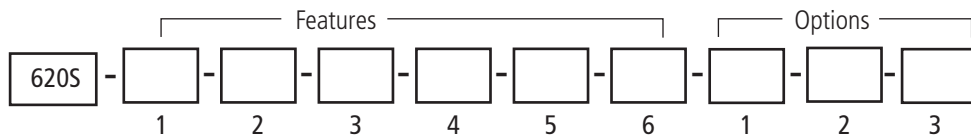
Weldolet

Flat Duct Bracket

Curved Duct Bracket

Certifications

CE approved



Instructions: To order a 620S please fill in each number block by selecting the codes from the corresponding features below and following pages.

Parent Number	
620S	FastFlo™ Insertion Mass Flow Meter. 18-30 VDC input power with a 3/8-inch in diameter probe. Includes "Smart Electronics" with PC configuration software, calibrated temperatures up to 176°F (80°C) and pressures up to 150 psig (10.34 barg). 200 msec response. CE approved. 4-20 mA, 0-10 VDC or 0-5 VDC linear output

NOTE: ALL slpm flow ranges also available in nlpm. * Flow bodies are sized for nitrogen flow rates. Other gases must be converted to equivalent nitrogen flow. Use K-factor and size accordingly.

Feature 1: Probe Length	
L04	3.7-inches (9.5 cm)
L06	6-inch (15 cm)
L09	9-inch (23 cm)
L13	13-inch (33 cm)
L()	Special Length - Specify length in parentheses. Maximum 24-inch (61 cm). Minimum 3.7-inches (9.5 cm)

Note: For Digital communication options, see Option 2.

Feature 3: Electronics Enclosure	
EN2	NEMA 4X (IP65) Enclosure. Mounted directly on probe.
EN4()	Remote NEMA 4X (IP65) Enclosure with Junction Box Mounted up to 200 feet (61m) away from the probe with junction box mounted on probe. Includes remote electronics enclosure mounting bracket and 1/2-inch Female NPT connection.

Feature 5: Display	
NR	No readout
DD	Digital display. 2 x 12 digit, backlit, LCD display indicates flow rate and totalized mass in engineering units. Simplifies configuration settings and provides system status information

Option 1: Digital Communications	
PULSE	Totalizer pulse output (1 Hz max)
MB	Modbus communications protocol

Option 2: Certificates	
MC	Material certificates--US Mill certs on all wetted parts
CC	Certificate of conformance
NACE	NACE certificate for sour gas
LT	Leak test certificate
PT	Pressure test certificate

Feature 2: Mounting Accessories	
M0	None. Customer to supply own mounting hardware
M1	Compression fitting for 3/8-inch probe feed through by x 1/2-inch Male NPT
M1-M2()	Compression fitting for 3/8-inch probe feed through by x 1/2-inch Male NPT including Weldolet. 1/2-inch Female NPT. Welds to pipe Specify pipe O.D. in parentheses
M3	Flat Duct Bracket. 3/8-inch tube compression fitting.
M4()	Curved duct Bracket with 3/8-inch tube compression fitting. Specify duct O.D. in parentheses.
M6	Conex (Viton® compression fitting) packing gland can be used with customer supplied ball valve for live insertion or removal up to product maximum pressures. Compression fitting for 3/8-inch probe feed through by x 1/2-inch Male NPT.

Feature 4: Output	
V1	0-5 VDC, linear
V3	0-10 VDC, linear
V4	4-20 mA, linear

Feature 6: Gas	
0	Air
1	Argon
2	Carbon dioxide
6	Helium
10	Nitrogen
99	Other--consult factory

Option 3: Power Supplies	
100-T10F ()	24 VDC Power Supply for 620S only. Supplied with fly leads, 1.5 Amps, 110-230 VAC, CE approved. Specify plug preference in parentheses: (US) for USA plug, (EU) for Euro plug, (UK) for Great Britain plug.

上海萨海测量技术有限公司
 电话: 021-6236 2960
 传真: 021-5235 2321
 邮箱: sales@seasy-ist.com
 网址: www.seasy-ist.com